

The Sustainment Training Center offers an M1A2 SEPV2 Troubleshooting Course that contains instruction on conducting on-board and alternate troubleshooting procedures for both the Hull and Turret Systems. In depth instruction on how to use the on-board diagnostic system in conjunction with the technical manual for troubleshooting the Hull and Turret. Schematic interpretation and tracing of various Hull and Turret circuits.

The training is NOT MOS producing or Additional Skill Identifier (ASI) awarding.

This course is in the ATRRS School Reservation System under School Code 952, Course Title: 964-M1A2 SEPV2TS.

Technicians/Soldiers attending the instruction will attend this training in a paid status. Cost to the States for sending Technicians/Soldiers include travel to and from Camp Dodge from the Technicians/Soldiers home station. Food subsistence is local economy. Lodging is available on Camp Dodge for \$43.00 per night for single room, queen size bed and shared latrine.

Find Per Diem cost for Camp Dodge, Johnston, Iowa at: <https://www.gsa.gov/travel/plan-book/per-diem-rates>

On Post Quarters



Army National Guard

Sustainment Training Center

7105 NW 70th Ave

Camp Dodge

Johnston, Iowa 50131-1824

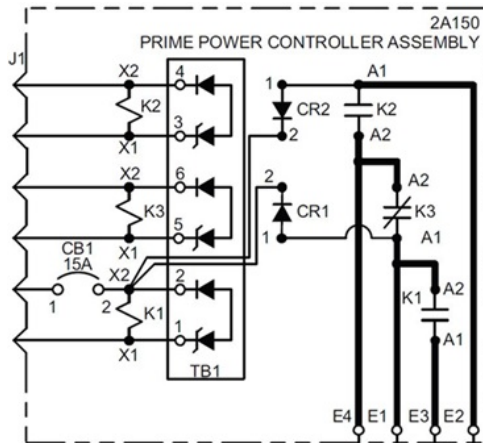
<https://stcia.com>



M1A2 SEPV2
Troubleshooting
Course



M1A2 SEPv2 Troubleshooting Course



TASKS TAUGHT

- Hull LRU's
- Hull Troubleshooting
- Power Distribution
- Hull Schematics
- Powerpack Troubleshooting



Army National Guard Sustainment
Training Center (STC)

M1A2 SEPv2
Troubleshooting Course

964-M1A2 SEPV2TS

Visit ATRRS Course Catalog at

<https://www.atrrs.army.mil/atrrscc>

Questions regarding enrollment
procedures contact:

Mark T. Rushing

Commercial: (515) 727-3579

DSN: 431-3579

mark.t.rushing.ctr@army.mil

M1A2 SEPv2 Troubleshooting Course



TASKS TAUGHT

- Turret LRU's
- Aux Pump / Ammo Doors
- iFCEU
- Turret Schematics
- CROWS II

